



Q-Link Revealing a better way Single and Double Cordsets

Part Numbers

Assembled:

Q-Cover with single Q-Link QC401
Q-Cover with double Q-Link QC402

Parts:

Q-Link Single Tap Q401
Q-Link Double Tap Q402

Application:

The Q-Link is built to provide reliable means of power to heat lamps and other 120V equipment in agricultural barns. Made of durable poly materials, the Q-Link is resistant to water, oil, chemicals, and corrosion. Intended for indoor use.

Features:

- Single Tap is 24" overall cord length
- Double Tap is 14" before split with 12" legs
- Illuminated NEMA 5-15R plug connectors
- SJTOW cable, 3 conductor, 14 AWG
- Rated 125V, 13A

Q401



Easily tell when power is on with lighted cord ends!

Q402



Save time with pre-stripped conductors!

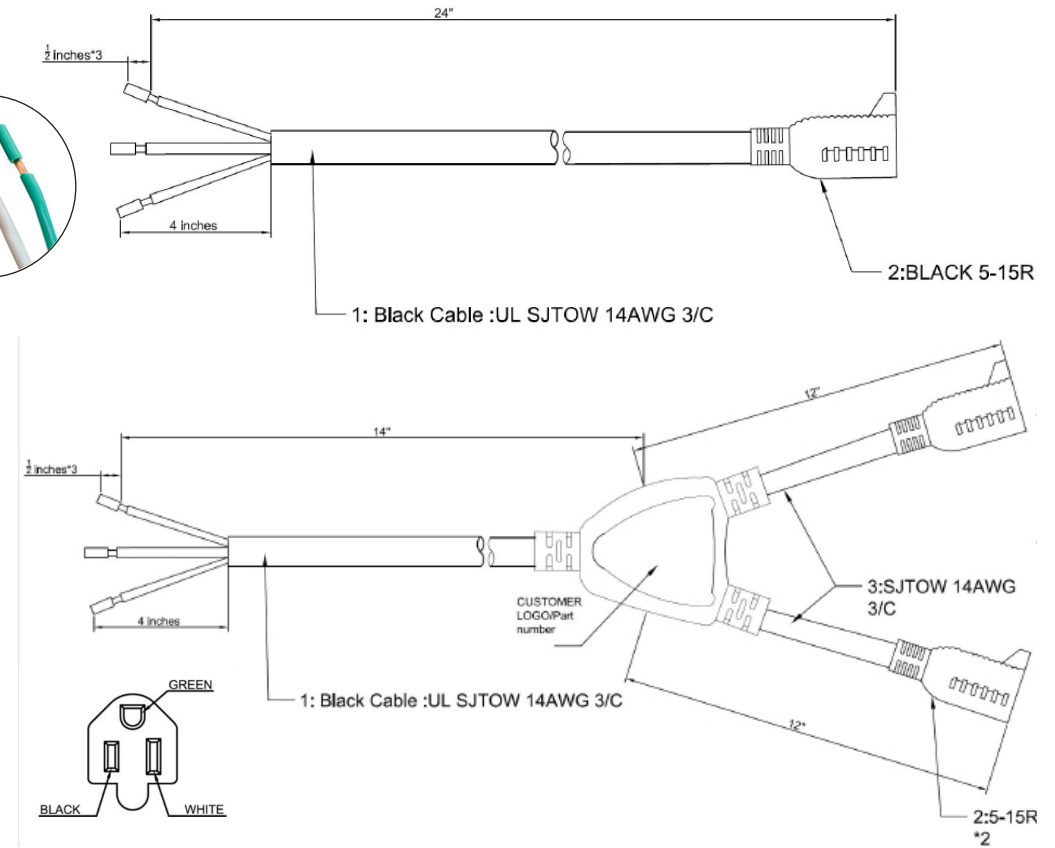


Assemblies

QC401



QC402



Material SJTOW Cable, polymeric splitter and connectors

Environmental Suitable for indoor use, corrosion/chemical resistant

Dimensions Single Tap is 24" overall cord length; Double Tap is 14" before split with 12" legs

Packaging Q401: Master Packs of 200 or 50; Q402 Master Packs of 50 or 25



Scan QR code for more info



Recyclable materials



ETL listed for wet locations



Indoor use