



Q-Lume™

Revealing a better way

Utility Jar Fixture with Hub Water/Airtight, High Pressure Washable

Part Numbers

Assembled:

Q-Lume FixtureQL100JS, QL100J
Q-Lume Fixture, No GlobeQL103S, QL103

Parts:

Q-Hub w/ & w/o screwQH1000S, QH1000
Q-Lume Subassembly.....QL100
Clear Glass JarQLJAR

Application:

The most watertight utility jar fixture available today. Assembled with our Q-Hub, the Q-Lume is designed for the barn and those that wire and repair barn lighting. Together they are perfect for new construction projects. Installs four times faster! Gaskets are all captive, made with high temp silicone - ensuring long life, frustration free installation, and a waterproof fit. The FicientLock™ System requires no screws so future repairs are quick and easy.

Features:

- No assembly screws
- FicientLock™ System
- Includes captive gaskets
- Replaceable nickel plated socket
- Pre-installed mounting screw
- 3/4" knockouts/conduit hubs, (2) open at 180°, (2) closed
- Direct glue to PVC, no fittings required
- Corrosion resistant, air and watertight

FicientLock™ Technology



Q-Lume
#QL100



Q-Hub
#QH1000(S)

Q-Lume
#QL100



Glass Globe
#QLJAR



Q-Lume Fixture
#QL100JS

Material Non-metallic, high performance polycarbonate and high temp rated gasket

Environmental Suitable for wet or damp locations

Safety ETL listed, Certified to UL Std. 1598, Certified to CAN/CSA 22.2 #250.0

Dimensions 9 5/8" H, 5 1/16" diameter

Wattage 40W Max, Incandescent, CFL or LED lamps

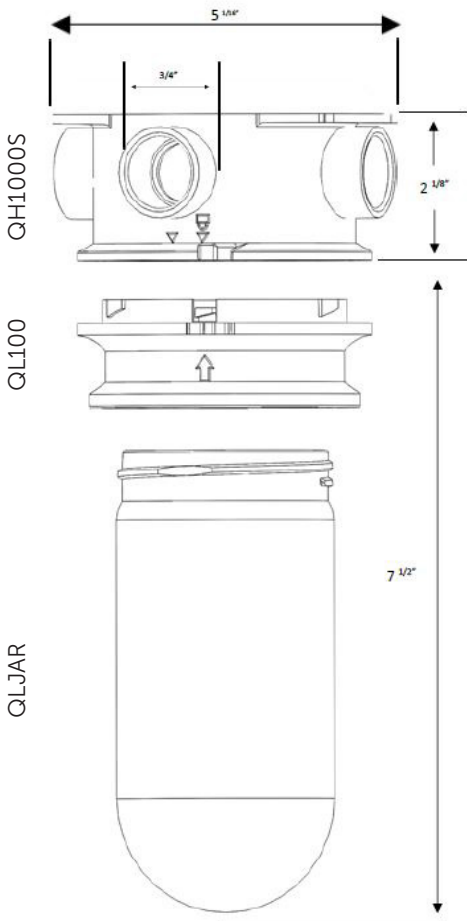
Hub Size Accepts 3/4" O.D. PVC, non-metallic conduit

Hubs (2) open 3/4" hubs and (2) knockout type at 180°

Socket Replaceable E26 medium base, nickel plated

Packaging QL100JS: 12 per box; Box Size: 23.75" x 18.75" x 10"; Weight: 22 lbs

Mounting Includes (4) #8 coarse thread, plastite stainless screws for mounting to existing non-metallic junction boxes



Scan QR code for more info



Recyclable materials



ETL listed for wet locations



Indoor/outdoor use



USA Made