



Q-Lume™

Revealing a better way to install.

Non-Metallic Utility Light Fixture

Part Numbers:

Q-Lume Fixture—Glass QL100JS, QL100J

Q-Lume Fixture—Plastic..... QL250JS, QL250J

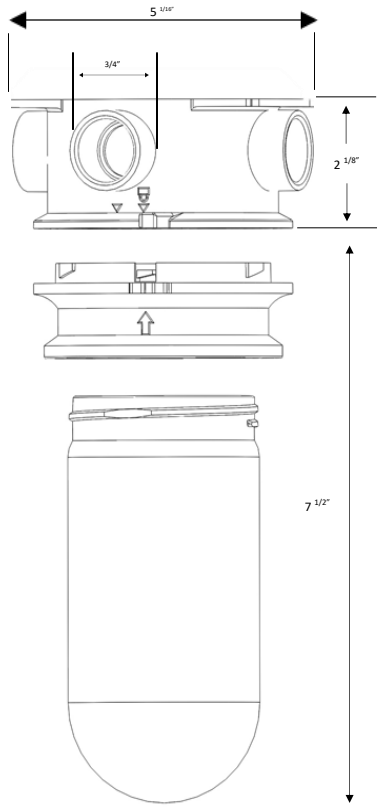
Q-Lume Fixture—No Globe..... QL103

Application:

The Q-Lume™ is a very durable utility jar light fixture equipped with our exclusive "FicientLock" system for assembly onto the Q-Hub. No assembly screws, no gasket to handle, simply twist and lock and it's watertight! Intended for use indoors and out, ETL listed for wet locations, and designed specifically for use with today's energy saving screw in LED or CFL lamps up to 40 Watts.

Features:

- 2 Open 3/4" hubs and 2 Knockout type at 90°
- Pre-installed screw for quick mounting
- No screws needed for assembly
- Inboard and outboard mounting options
- Nickel plated socket lasts longer
- ETL Listed for wet locations in US and Canada



FicientLock™ Technology



Material	Non-metallic, high performance polycarbonate and high temp rated gasket
Environmental Ratings.....	Certified for wet locations
Safety.....	ETL Listed, Conforms to UL Std. 1598, Certified to CAN/CSA 22.2 #250.0
Dimensions	9 5/8" Height, 5 1/16" in diameter
Wattage	40W Max, CFL or LED
Hub Size	Accepts 3/4" O.D. PVC, non-metallic conduit
Hubs	2 Open 3/4" hubs and 2 knockout type at 90°
Socket.....	Medium base, Edison E26. screw type, nickel plated with ground wire
Packaging	12 per box
Weight.....	150lbs per 100, fully assembled
Mounting.....	Ceiling, wall, or surface mount. Ships with a 9-15 x 2" shield coated Hex screw with washer or use outboard mounting locations



Q-Lume™
Revealing a better way to install.



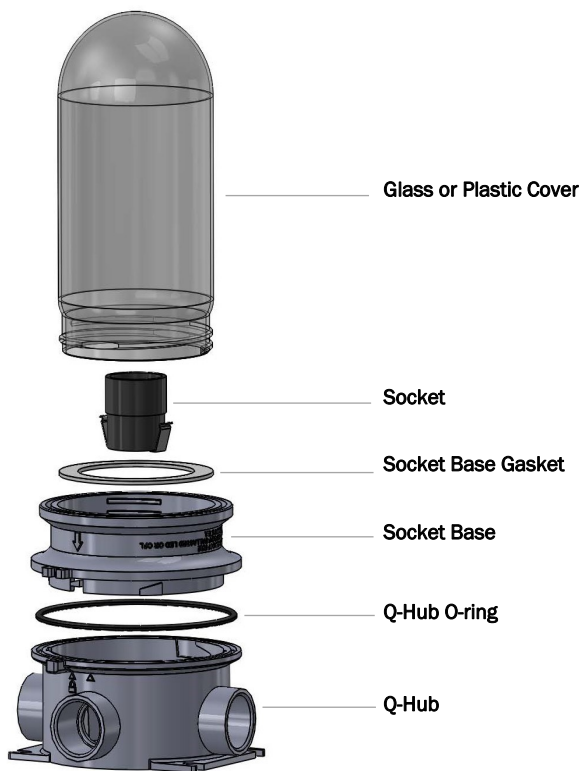
TOOLS NEEDED: 1/4" Nut Driver, Small flat blade screwdriver

IMPORTANT SAFETY INSTRUCTIONS

The Q-Lume should be installed by a licensed, qualified electrician. Modifying the product or altering the product voids UL Certification Listing. Failure to follow these instructions could result in death, bodily injury, fire, or electrical shock.

- Wet locations rated only when the globe is screwed on to fixture.
- For Indoor use only
- For use only on walls or ceilings
- Connect fixture to 120 volt, 60 Hz power source. Any other connection voids warranty.
- ETL Listed, Conforms to UL Std. 1598, Certified to CAN/CSA 22.2 #250.0
- The bulb and fixture get hot during use. Disconnect power and allow fixture to cool before changing bulb or handling fixture.

Q-LUME COMPONENTS



CONDUIT OPENINGS

Two conduit openings are intentionally left open to provide the fastest install. If more openings are needed, simply knockout the plug in the Q-Hub using a screwdriver or another tool. When using knockout feature insure knockouts are smooth and free of burrs or other sharp edges that may damage wires.

Nonmetallic fittings can be used in the conduit openings, but they must be a UL-approved fitting. In order to maintain a watertight seal, installing a watertight UL-approved fitting is required. Only glues stated in this instruction manual (under "gluing" section) should be used.



1 of 2 Conduit openings

MOUNTING THE Q-LUME



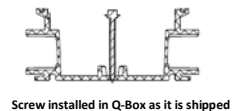
- Risk of electrical shock. Disconnect power at fuse or circuit breaker before installing or servicing.
- Make certain that the fixture is connected to a 120-volt power source
- UL-approved wire connectors should be used. Be sure no loose strands of wire are sticking out from under your wire connectors.

Q-HUB INBOARD MOUNTING

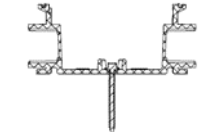


- Must use supplied screw (#9-15 x 2", 1/4" Hi-Hex w/Shoulder and EPDM Bonded Washer, Type S, Shield Coated) or equivalent
- If using any other type of screw, care must be taken to seal around screw head in interior of junction box with an appropriate sealant to insure a water tight seal.
- Failure to follow these instructions voids wet location rating of junction box and may damage wires

1. Remove glass cover from Q-Lume.
2. Remove socket base by pressing down on inside tab and turning counter-clockwise.
3. Insure bonded washer is present on supplied screw on Q-Hub.
4. Position Q-Hub onto mounting surface.
5. Secure Q-Hub to mounting surface by running supplied screw in until bonded washer is compressed and makes a watertight seal.
6. Insure screw is properly seated as shown.
7. If desired, a second screw can be used in alternate boss.



Screw installed in Q-Box as it is shipped

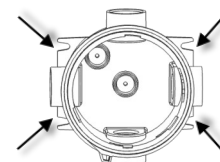


Screw properly installed

Q-HUB OUTBOARD MOUNTING

NOTE: Outboard mounting screws are not supplied

1. Remove glass cover from Q-Lume
2. Remove socket base by pressing down on inside tab and turning counter-clockwise.
3. Position Q-Hub onto mounting surface
4. Secure Q-Hub to mounting surface using locations provided on Q-Hub.
5. It is recommended to use an appropriate screw for the environment, with a shoulder large enough to avoid any slip through the mounting locations.



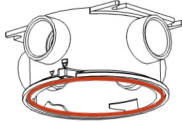
Outboard Mounting Locations



All unused openings must be plugged with a UL-approved adaptor.

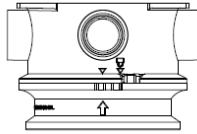
WIRING FIXTURE

1. Attach conduit to Q-Hub and pull wire leads to the box. (Refer to "Conduit Openings" section and "Gluing" section)
2. Connect the white supply wire (common) to the white fixture wire using a wire connector (sold separately).
3. Connect the HOT (usually black) supply wire to the black fixture lead (120V) using a wire connector (sold separately).
4. Connect the supply ground wire to fixture ground wire using a wire connector (sold separately).
5. Cap and insulate all unused wire leads.
6. Verify that all unused openings on Q-Hub are plugged with a UL-approved adaptor.
7. Verify Q-Hub O-ring is in place and secured in gasket groove of Q-Hub.



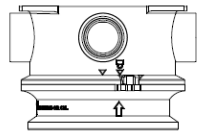
O-ring in place and secure

8. Position socket base so alignment arrows line up. Alignment arrows are located directly above locking tab on socket base and directly to left of locking hole in Q-Hub. The socket base should seat completely into Q-Hub when lined up as described.



Not-locked

9. Lock socket base in place by turning it clockwise until a click is heard from the socket base locking in place. You should feel and hear socket base lock into place. Verify socket base is locked into place.



Locked

10. Verify socket base gasket is securely seated in bottom of socket base. If this gasket is not in place the wet locations and damp locations rating is void.
11. Install lamp.

WARNING

Always use or replace bulb with the same wattage or lower wattage than required. Installing a bulb of higher wattage could create a fire hazard. Using higher wattage bulbs will void the warranty.

12. Attach glass cover to socket base. Verify cover is securely attached.
13. Turn on the main power at the main fuse/breaker box.

GLUING

To insure proper adhesion and seal, use the approved glues (or equivalent) below:

- Oatey All Purpose Cement #30821 For use with PVC, CPVC & ABS
- Oatey ABS to PVC Green Transition Cement #30900
- Oatey Purple Primer #30756 For use with CPVC & PVC
- Oatey Heavy Duty Gray PVC Cement
- Oatey Rain-R-Shine Medium Blue PVC Cement

WARNING

Use of an unapproved glue may result in connection failure and voids all safety certifications.

CLEANING AND MAINTENANCE

1. Turn off power at main fuse or circuit breaker before installing or servicing.
2. Clean glass lens with non-abrasive glass cleaning solution.
3. Always use or replace bulb with the same wattage or lower wattage than required. Installing a bulb of higher wattage could create a fire hazard. Using higher wattage bulbs will void the warranty of the Q-Lume.

WARNING

Be sure fixture temperature is cool enough to touch. Do not clean or maintain fixture while fixture is energized.