



## Q-Lume™

Revealing a better way to install.

### Non-Metallic Utility Light Fixture

**Part Numbers:**

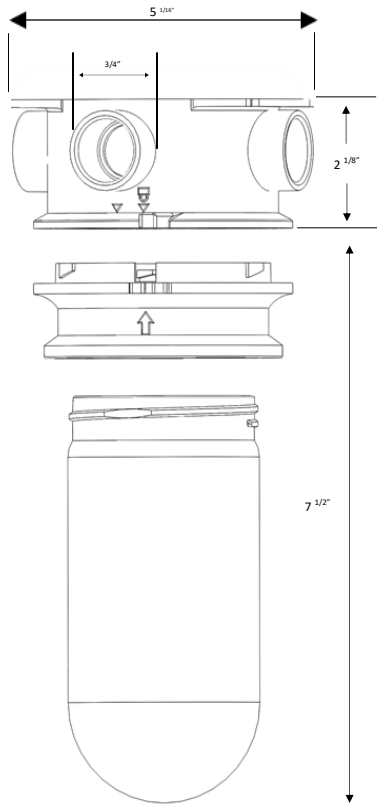
- Q-Lume Fixture—Glass..... QL100JS, QL100J
- Q-Lume Fixture—Plastic..... QL250JS, QL250J
- Q-Lume Fixture—No Globe..... QL103

**Application:**

The Q-Lume™ is a very durable utility jar light fixture equipped with our exclusive "FicientLock" system for assembly onto the Q-Hub. No assembly screws, no gasket to handle, simply twist and lock and it's watertight! Intended for use indoors and out, ETL listed for wet locations, and designed specifically for use with today's energy saving screw in LED or CFL lamps up to 40 Watts.

**Features:**

- 2 Open 3/4" hubs and 2 Knockout type at 90°
- Pre-installed screw for quick mounting
- No screws needed for assembly
- Inboard and outboard mounting options
- Nickel plated socket lasts longer
- ETL Listed for wet locations in US and Canada



**FicientLock™ Technology**



Material .....	Non-metallic, high performance polycarbonate and high temp rated gasket
Environmental Ratings.....	Suitable for wet locations, Suitable for damp locations
Safety.....	ETL Listed, Conforms to UL Std. 1598, Certified to CAN/CSA 22.2 #250.0
Dimensions .....	9 5/8" Height, 5 1/16" in diameter
Wattage .....	40W Max, CFL or LED
Hub Size .....	Accepts 3/4" O.D. PVC, non-metallic conduit
Hubs .....	2 Open 3/4" hubs and 2 knockout type at 90°
Socket .....	Medium base, Edison E26. screw type, nickel plated with ground wire
Packaging .....	12 per box
Weight.....	150lbs per 100, fully assembled
Mounting.....	Ceiling, wall, or surface mount. Ships with a 9-15 x 2" shield coated Hex screw with washer or use outboard mounting locations

