



Q-Box™

Revealing a better way to install.

Rigid Non-Metallic Conduit Body & Cover

Part Numbers (sold separately):

Q-Hub.....QH1000S, QH1000
 Q-Cover.....QC100



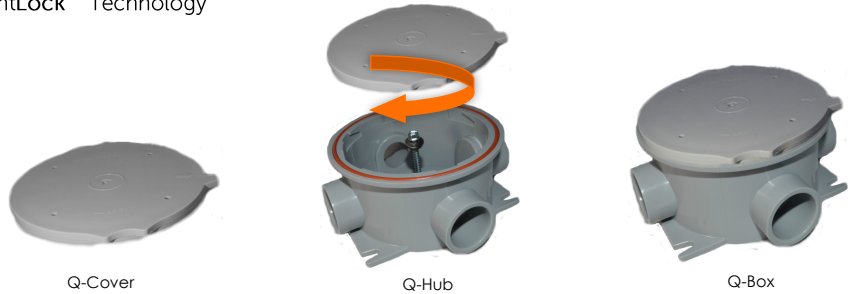
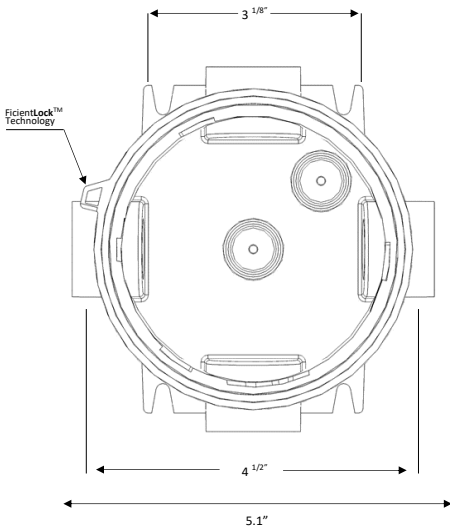
Application:

The Q-Box™ was developed to speed up electrical installations in wet locations. No assembly screws, no gasket to handle, simply twist and lock and it's watertight! The Q-Hub is fitted with our exclusive "FicientLock" system that accepts a blank cover for junctions and the Q-Lume utility jar or LED light fixtures.

Features:

- 2 Open 3/4" hubs and 2 Knockout type at 90°
- Pre-installed screw for quick mounting
- Pre-installed gasket saves time
- No screws needed for assembly
- Inboard and outboard mounting options
- ETL listed for wet locations for US and Canada

FicientLock™ Technology



"Twist , Lock, and It's Water Tight!"

Material.....Non-metallic, high performance polycarbonate and high temp rated gasket

Environmental Ratings... Suitable for wet locations, Suitable for damp locations

SafetyETL listed, Conforms to UL Std. 5A, Certified to CAN/CSA C22.2 #62.1

Dimensions/Capacity.....2 1/8" Height, 4 1/2" diameter, 19.5 cubic inches

Hub SizeAccepts 3/4" O.D. PVC, non-metallic conduit

Hubs.....2 Open 3/4" hubs and 2 knockout type at 90°

Packaging15 per Box or 96 per box

Weight.....43lbs. per 100, fully assembled

Mounting.....Ceiling, wall, or surface mount. Ships with a pre-installed 9-15 x 2" shield coated Hex screw with washer or use outboard mounting locations

